

# INSTRUCTION & SERVICE MANUAL

## E2xL15UL LOUDSPEAKERS

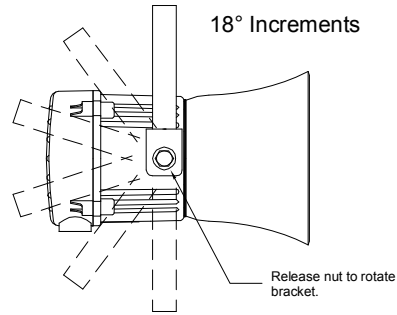
### For Use In Hazardous Locations

- 15 Watt Loudspeaker
- 70V or 100V Line Transformer with 15W, 7.5W, 3W and 1W tapings
- 8 ohm or 16 ohm
- Type 4 / 4X / 13
- Operating Temperature Range -20°C to +55°C



Unit Type No. E2xL15UL

Impedance: 8 ohm or 16 ohm  
70V Line or 100V Line



**WARNING - EXPLOSION HAZARD - SUBSTITUTION OF COMPONENTS MAY IMPAIR SUITABILITY FOR CLASS I, II DIVISION 2.**

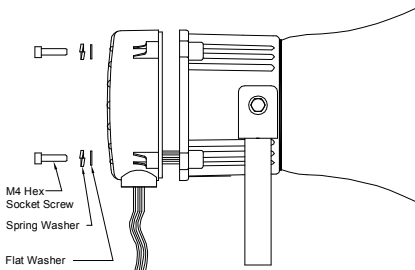
Max. Operating Temperature / Code at +55°C Ambient	
Hazardous Location	Temperature Code
Class I, Division 2, Groups A, B, C, D	T4 (135°C)
Class II, Division 2, Groups F and G	T6 (85°C)
Class III, Divisions 1 and 2	T6 (85°C)

Max. Operating Temperature / Code at +40°C Ambient	
Hazardous Location	Temperature Code
Class I, Division 2, Groups A, B, C, D	T4A (120°C)

The equipment is suitable for use in the hazardous locations listed above or non-hazardous locations only.

#### PRE-INSTALLATION

**WARNING** – The E2xL15UL loudspeakers are supplied with flying leads so it should not be necessary to open the unit before it is installed.



**WARNING – DO NOT OPEN WHEN ENERGISED**

**CAUTION - DO NOT OPEN WHEN AN EXPLOSIVE GAS OR DUST ATMOSPHERE IS PRESENT**

#### MOUNTING

The E2xL15UL loudspeaker must be mounted using the rotating bracket as shown.

#### WIRING INSTALLATION

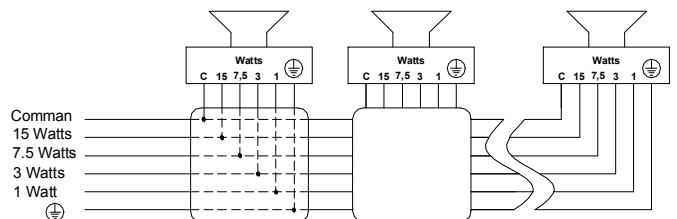
The E2xL15UL loudspeaker has one ½ NPT cable entry, the blanking plug adjacent to the cable entry is permanently fixed and must not be removed. The sounder is pre-wired with flying leads which are colour coded and should be connected as shown in the diagram below.

The conduit running from the supply to the sounder must include an equipment grounding conductor that is at earth potential to facilitate ground connection of the device. A number of loudspeakers can be connected in a chain to the same supply using field installed wiring compartments that are appropriate for the hazardous location, provided that the conductor at earth potential can be readily connected to the ground lead on each loudspeaker in the chain.

**WARNING - ALL ELECTRICAL WIRING MUST BE INSTALLED IN ACCORDANCE TO THE NATIONAL ELECTRICAL CODE**

#### 100V and 70V Loudspeakers

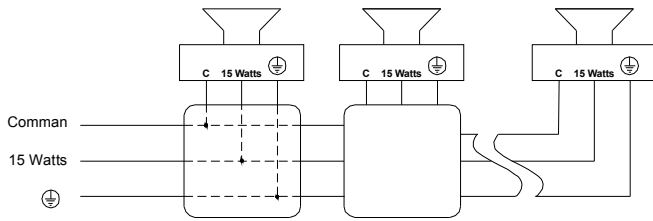
- White Common
- Red 15 Watts
- Orange 7.5 Watts
- Yellow 3 Watts
- Violet 1 Watt
- Green/Yellow Ground



NOTE - All wires are not used they must be individually insulated to ensure that cannot make contact to any other wires.

### 8 ohm and 16 ohm Loudspeakers

Black Common  
Red 15 Watts  
Green/Yellow Ground



### POWER AMPLIFIER SELECTION

It is important that the E2xL15UL loudspeakers are connected to power amplifiers that have outputs that are compatible to the type of loudspeaker being used. Loudspeakers with a 70V or 100V line matching transformer fitted must be connected to a power amplifier with a 70V or 100V line output. Low impedance 8 ohm or 16 ohm loudspeakers must be connected to amplifiers with a suitable low impedance output.

Unit Type	Input	Wattage	Max. I/P Volts
E2xL15UL	8 ohm	15 Watt	10.95V
E2xL15UL	16 ohm	15 Watt	15.49V
E2xL15UL	100V Line	15 Watt	100V
E2xL15UL	70V Line	15 Watt	70V

**WARNING – HIGH VOLUME MAY CAUSE HARM TO PERSONNEL IN CLOSE PROXIMITY**